



Chevy
2015 Tahoe
SUV

Installation Manual



Cargo Barrier

7013-310-036429

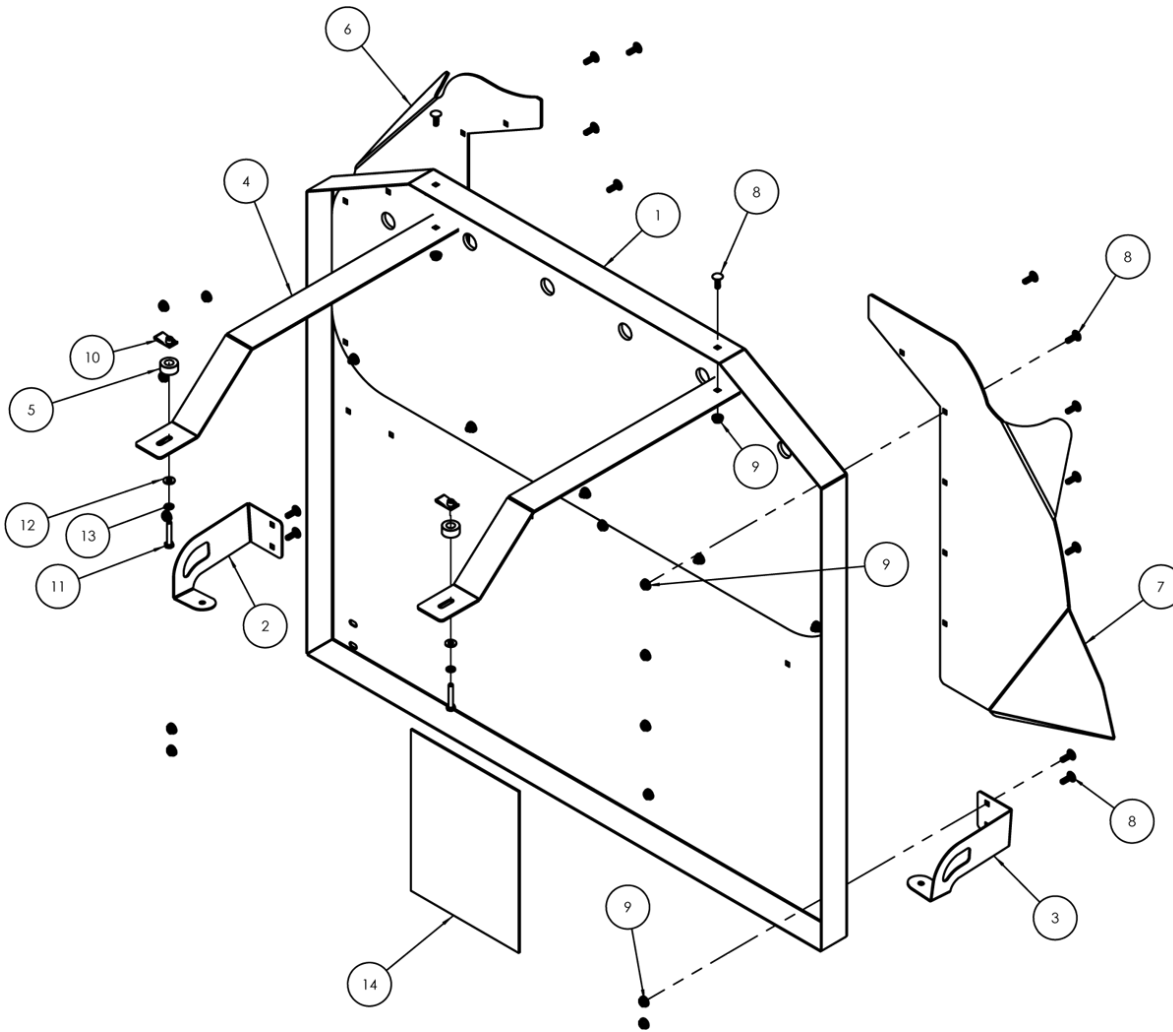
isv.xperusa.com

724-431-2080

F:724-431-4361



Components List



ITEM NO.	DESCRIPTION	QTY.
14	INTERCEPTOR SUV CARGO BARRIER INSTALLATION MANUAL	1
13	1/4 LOCK WASHER, (.260/.487/.062 min), STD SPRING LOCK	2
12	1/4 SAE FLAT WASHER, (.281/.625/.055-.072)	2
11	1/4-20 X 1 1/2 HHCS, FULLY THREADED	2
10	Clip Nut, 1/4-20 Tapped-Hole No Slip Sz. .025-.150 Panel,.781 Hole Ctr to Edge	2
9	1/4-20 SERRATED FLANGE NUT	16
8	1/4-20 X 3/4 LG CARRIAGE BOLT	16
7	CLEAR GARGO BARRIER WING, RH INTERCEPTOR SUV	1
6	CLEAR CARGO BARRIER WING, LH INTERCEPTOR SUV	1
5	UPPER BRACE SPACER INTERCEPTOR SUV	2
4	UPPER BRACE INTERCEPTOR SUV	2
3	LOWER BRACKET RH SIDE INTERCEPTOR SUV	1
2	LOWER BRACKET LH SIDE INTERCEPTOR SUV	1
1	BARRIER AND WINDOW ASSEMBLY	1

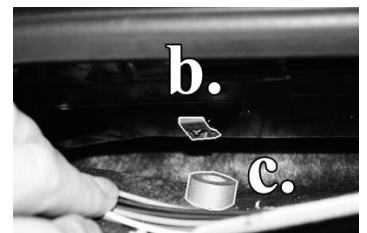
Installation Instructions

1. Lay down the back seat.
2. Place Cargo Barrier into the back of the vehicle and prop it up to keep it from falling.
3. Install the both the driver and Passenger side lower Cargo Barrier mounting brackets:
 - a. Remove and save the OEM floor bolt and washer.
 - b. Align both of the lower mounting bracket hole with the threaded floor mounting hole and hand tighten OEM floor bolt and washer.
 - c. Align the Cargo Barrier against the two lower mounting brackets upper attachment holes.
 - d. Attach the Cargo Barrier to the two lower mounting brackets by inserting on each, 2 carriage bolts and flanged serrated nuts.

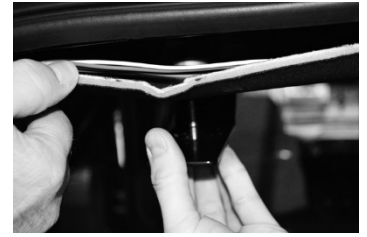


4. Install the driver and passenger side Upper Support Strap:

- a. Pull back the OEM Ceiling Headliner.
- b. Locate the side hole under the OEM Ceiling Headliner and install the provided 1/4-20 Clip Nut.
- c. Place the Upper Brace Spacer below the clip nut onto the inside of the OEM Ceiling Headliner.
- d. Loosely attach the driver side Upper Support Start to the top of the Cargo Barrier using 2 each of the 1/4-20 x 3/4" HHCS, flat SAE washers, and 1/4-20 flanged serrated nuts.

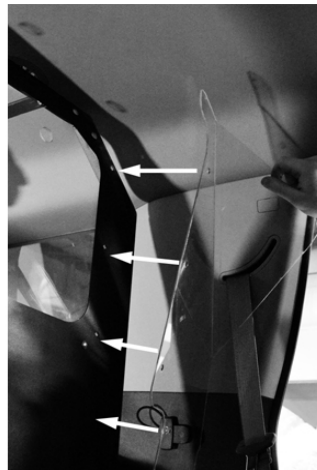
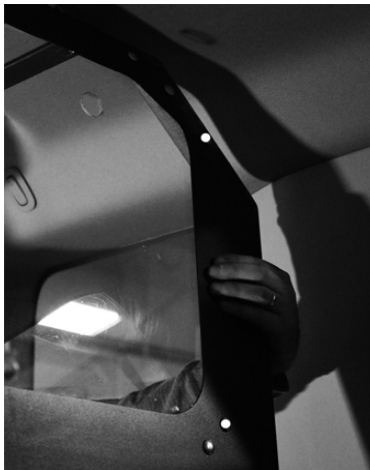


- e. Align the driver side Upper Support Strap directly underneath the installed Spacer and drill up through the headliner with a 1/4" Bit.
- f. Using the provided 1/4-20 x 1 1/2 HHCS, 1/4 Lock Washer, and 1/4 SAE Flat Washer, attach the driver side Upper Support Strap loosely to the ceiling through the Headliner, Spacer, and Clip Nut.
- g. Repeat steps b. through e. to install the passenger side Upper Support Strap.
- h. Tighten all bolts on the Upper Straps securely.



5. Install the driver and passenger side Polycarbonate Side Windows:

- a. Remove and save the 5 side bolts located on the Cargo barrier.
- b. Align the side Polycarbonate Window with the 5 holes and reattach the 5 removed carriage bolts and 1/4-20 flanged serrated nuts.



6. Go back and fully tighten all bolts on the Cargo Barrier and Support Straps.

INSTALLATION COMPLETE